



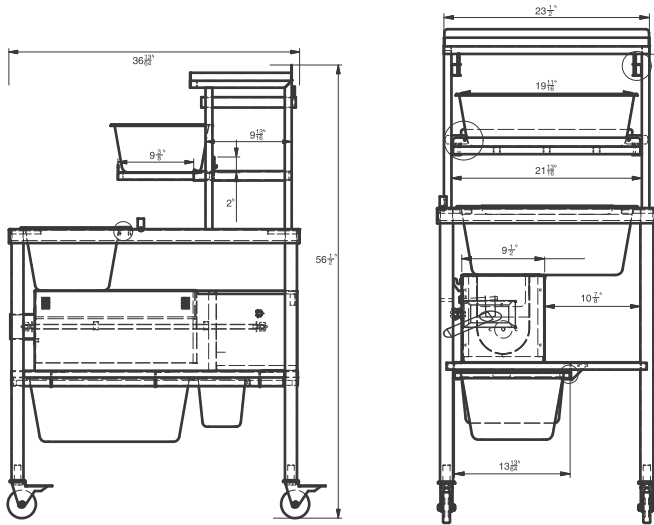
BREADING/BATTER/SIFTER TABLE

**MODEL
BBS-M-L3625**

General Specifications:

BREADING/BATTER/SIFTER TABLE

Entirely enclosed Blender/Sifter assembly constructed from durable stainless steel, employing a hand operated rotary Blender/Sifter mechanism that operates without vibration or agitation. When not in use, handle will fold out of the way. Spirally-configured nylon bristles form a rotary auger that ejects unwanted dough balls to a separate waste container.



Advantages

- Compact design fits in tight spaces.
- Rotary auger blends, sifts and ejects dough balls simultaneously which guarantees product consistency.
- Quiet operation. Creates results, not disturbances.
- Pull out staging shelf.
- Totally enclosed assembly with only four internal parts - reduces dust and allows quick, easy cleaning.
- Solid stainless steel construction and direct hand drive
- Slide in areas for pan lids and upper shelf for storage.